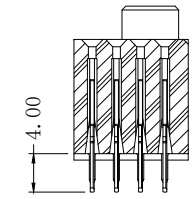
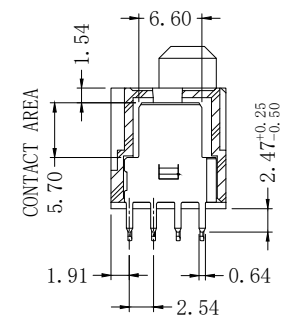
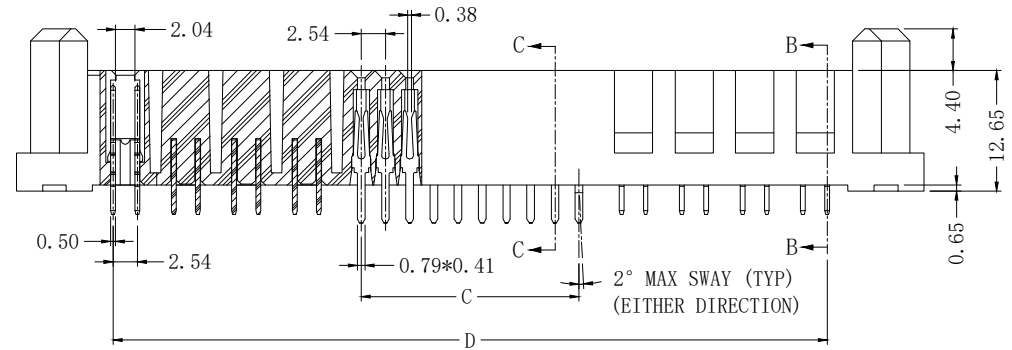
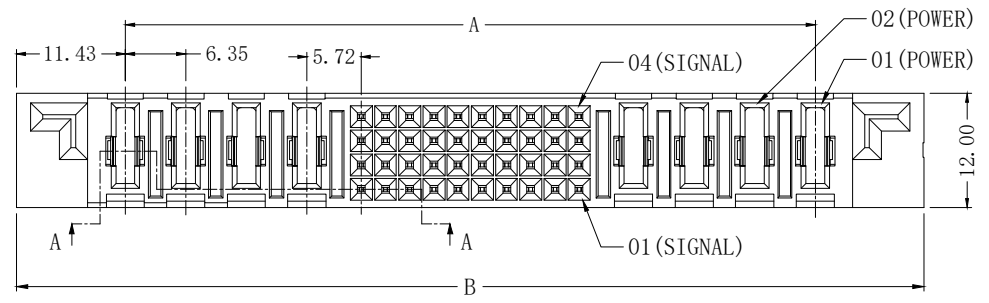


REVISIONS				
SYM	ECN No.	DESCRIPTION	DATE	APPROVED



SECTION B-B

SECTION C-C

SECTION A-A

PESC35-S-x/xx/xP X

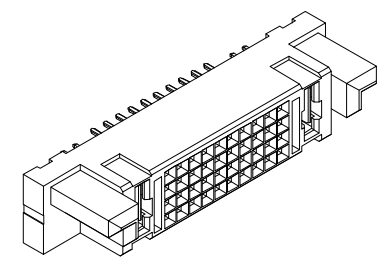
电源pin: 1P, 2P, 4P

信号pin: 12: 4*3pin, 24: 4*6pin, 40: 4*10pin

电源pin: 1P, 2P, 4P

接触电镀: 10G: GOLD 10u"

POS	A	B	C	D
1/12/1P	16.51	39.37	5.08	19.05
2/12/2P	29.21	52.07	5.08	31.75
4/12/4P	54.61	77.47	5.08	57.13
1/24/1P	24.13	46.99	12.70	26.67
2/24/2P	36.83	59.69	12.70	39.37
4/24/4P	62.23	85.09	12.70	64.75
1/40/1P	34.29	57.15	22.86	36.83
2/40/2P	46.99	69.85	22.86	49.53
4/40/4P	72.39	95.25	22.86	74.93



NOTES:

- BURR ALLOWANCE: 0.13 MAX.
- PUSHOUT FORCE: 2.22N MIN.
- INSULATOR: LCP, UL 94V-0, COLOR: BLACK
- TERMINAL: COPPER ALLOY
- PLATING: Au OVER 50u" Ni MIN.
- CURRENT RATING: 5.7 A PER PIN (4 PINS POWERED)
- VOLTAGE RATING: 225V AC/318V AC
- OPERATING TEMP RANGE: -55° C TO +125° C
- INSERTION DEPTH (POWER): 5.0mm TO 8.45mm
- WIPING DISTANCE: SIGNAL: 1.5mm MAX. POWER: 4.1mm MAX.



DIM. CLASS	TOLERANCE	APPROVALS	DATE
■ (CRITICAL)	X. ±0.35	DRAWN	
☒ (MAJOR)	X.X ±0.25	CHECKED	
□ (MINOR)	X.XXX	APPROVED	
() (REF.)	ANGULAR ±2'	DWG TYPE	
UNLESS OTHERWISE SPECIFIED		SALE DWG	PROJECT CODE SLOT

TITLE: 信号电源集成连接器母座

UNIT: mm, SCALE: NA

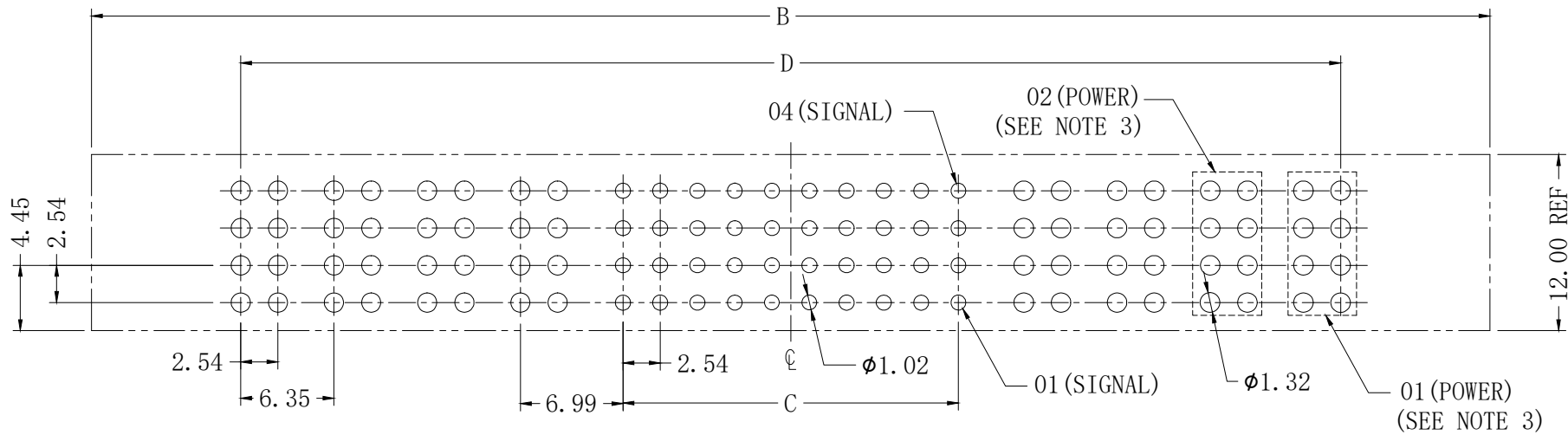
SIZE: A3, SHEET: 1 OF 2

上海宗进电子科技有限公司
深圳朗城科技有限公司

PART No. PESC35-S-x/xx/xPX

DWG No. REV. A

REVISIONS				
SYM	ECN No.	DESCRIPTION	DATE	APPROVED



NOTES:

- CONNECTOR ENVELOPE DIMENSIONS. OTHER COMPONENTS PLACED ON PCB SHALL AVDID THIS ZONE.
- ALL DIMENSIONS ARE SYMMETRIC ABOUT THE CENTERLINE.
- EACH GROUP HOLDS ONE POWER PIN.

	DIM. CLASS	TOLERANCE	APPROVALS	DATE	TITLE		上海宗进电子科技有限公司		
	<input type="checkbox"/> (CRITICAL) <input checked="" type="checkbox"/> (MAJOR) <input type="checkbox"/> (MINOR) <input type="checkbox"/> (REF.)	X. X.X ±0.35 X.XX ±0.25 X.XXX	DRAWN CHECKED APPROVED	信号电源集成连接器母座		深圳朗城科技有限公司		PART No. PESCS35-S-x/xx/xPX	
	ANGULAR ±2' UNLESS OTHERWISE SPECIFIED	DWG TYPE SALE DWG	PROJECT CODE SLOT		UNIT mm SCALE NA	SIZE A3 SHEET 2 OF 2	DWG No.		REV. A
	深圳朗城科技有限公司								