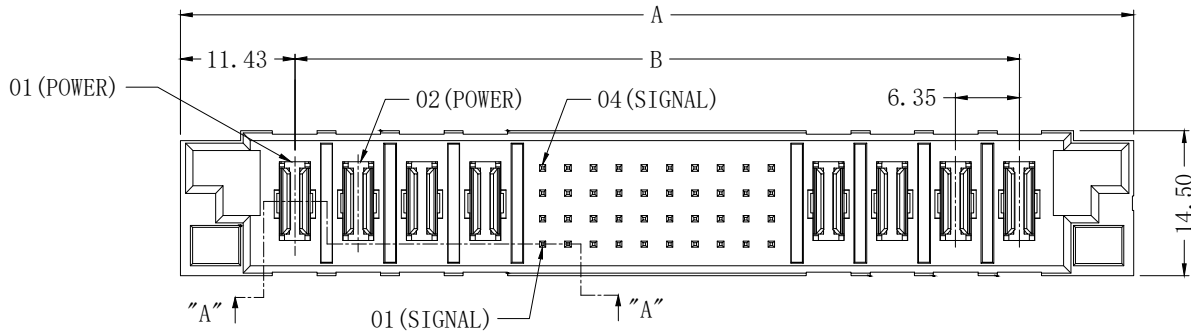
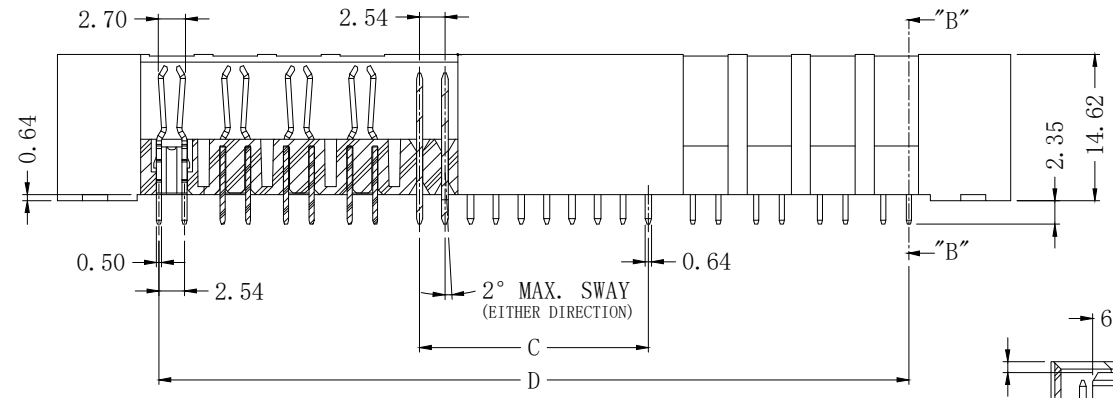


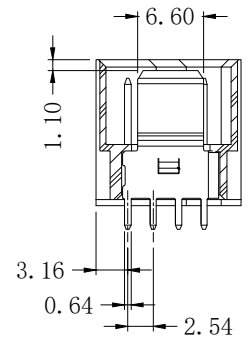
REVISIONS				
SYM	ECN No.	DESCRIPTION	DATE	APPROVED



- NOTES:
1. BURR ALLOWANCE: 0.13 MAX.
  2. PUSHOUT FORCE: 2.22N MIN.
  3. INSULATOR: LCP, UL 94V-0, COLOR: BLACK
  4. TERMINAL: COPPER ALLOY
  5. PLATING: Au OVER 50u" Ni MIN.
  6. CURRENT RATING: 5.7 A PER PIN(4 PINS POWERED)
  7. VOLTAGE RATING: 225V AC/318V AC
  8. OPERATING TEMP RANGE: -55° C TO +125° C
  9. INSERTION DEPTH(POWER): 5.0mm TO 8.45mm
  10. WIPING DISTANCE: SIGNAL: 1.5mm MAX.  
POWER: 4.1mm MAX.



SECTION "A"-"A"



SECTION "B"-"B"

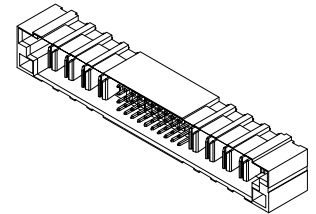
POS	A	B	C	D
1/12/1P	39.37	16.51	5.08	19.05
2/12/2P	52.07	29.21	5.08	31.75
4/12/4P	77.47	54.61	5.08	57.13
1/24/1P	46.99	24.13	12.70	26.67
2/24/2P	59.69	36.83	12.70	39.37
4/24/4P	85.09	62.23	12.70	64.75
1/40/1P	57.15	34.29	22.86	36.83
2/40/2P	69.85	46.99	22.86	49.53
4/40/4P	95.25	72.39	22.86	74.93

PETC35-S-x/xx/xP X

电源pin:  
1P, 2P, 4P

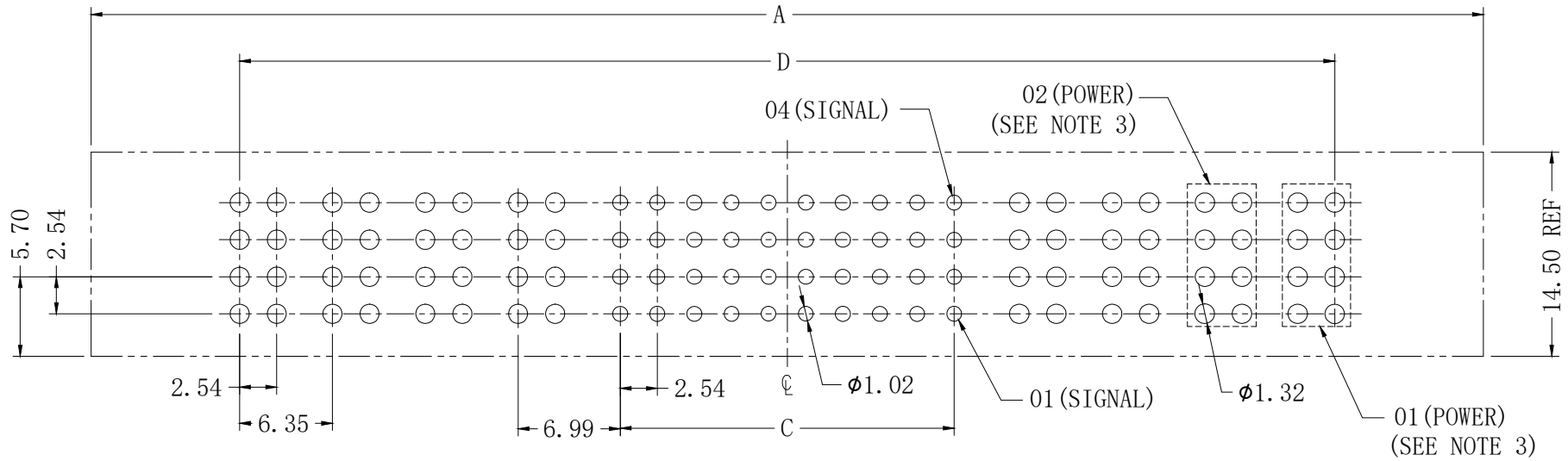
信号pin:  
12: 4\*3pin  
24: 4\*6pin  
40: 4\*10pin

接触电镀:  
10G: GOLD 10u"



	DIM. CLASS	TOLERANCE	APPROVALS	DATE	TITLE		上海宗进电子科技有限公司		
	<input checked="" type="checkbox"/> (CRITICAL) <input checked="" type="checkbox"/> (MAJOR) <input type="checkbox"/> (MINOR) <input type="checkbox"/> (REF.)	X. X.X ±0.35 X.XX ±0.25 X.XXX ANGULAR ±2° UNLESS OTHERWISE SPECIFIED	DRAWN CHECKED APPROVED DWG TYPE SALE DWG	PROJECT CODE SLOT		UNIT mm SCALE NA	SIZE A3 SHEET 1 OF 1	PART No. PETC35-S-x/xx/xPX DWG No.	深圳朗城科技有限公司 REV. A
	UNLESS OTHERWISE SPECIFIED		SALE DWG	PROJECT CODE	SLOT	UNIT	SIZE	PART No.	REV.
						mm	A3	PETC35-S-x/xx/xPX	A

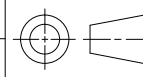
REVISIONS				
SYM	ECN No.	DESCRIPTION	DATE	APPROVED



NOTES:

1. CONNECTOR ENVELOPE DIMENSIONS. OTHER COMPONENTS PLACED ON PCB SHALL AVDID THIS ZONE.
2. ALL DIMENSIONS ARE SYMMETRIC ABOUT THE CENTERLINE.
3. EACH GROUP HOLDS ONE POWER PIN.

	DIM. CLASS	TOLERANCE	APPROVALS	DATE	TITLE 信号电源集成连接器母座		上海宗进电子科技有限公司 深圳朗城科技有限公司		
	<input type="checkbox"/> (CRITICAL) <input checked="" type="checkbox"/> (MAJOR) <input type="checkbox"/> (MINOR) <input type="checkbox"/> (REF.)	X. X.X X.XX X.XXX	±0.35 ±0.25	DRAWN					
	ANGULAR ±2'	UNLESS OTHERWISE SPECIFIED	DWG TYPE	PROJECT CODE		UNIT	SIZE	PART No.	
		SALE DWG	SLOT		SCALE	mm	A3	PETC35-S-x/xx/xPX	REV. A



UNIT mm  
SCALE NA  
SIZE A3  
SHEET 2 OF 2

PART No. PETC35-S-x/xx/xPX  
REV. A